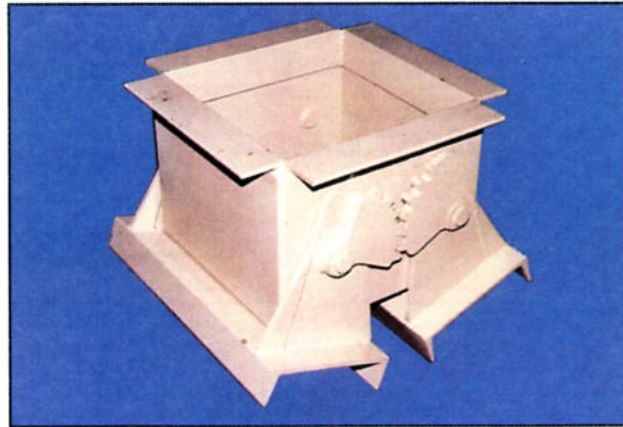
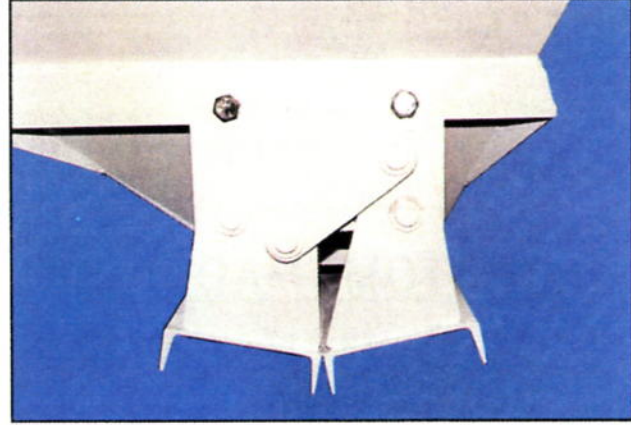
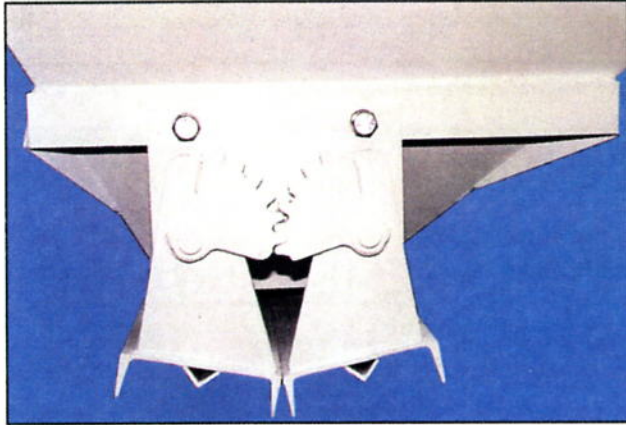


Stephens

Permanently Lubricated Gates



Stephens Gates are assembled with permanently lubricated, high tensile bronze bushing and thrust washers. Bushings are permanently impregnated with a non-weeping oil.

Stephens

MFG. CO. INC.
 PO BOX 488
 TOMPKINSVILLE, KY 42167
 SINCE 1957 - OVER 30 YEARS
 EXPERIENCE IN THE DESIGN AND
 MANUFACTURE OF CONCRETE EQUIPMENT



270-487-6774
 270-487-8368 FAX
 1-800-626-0200 USA



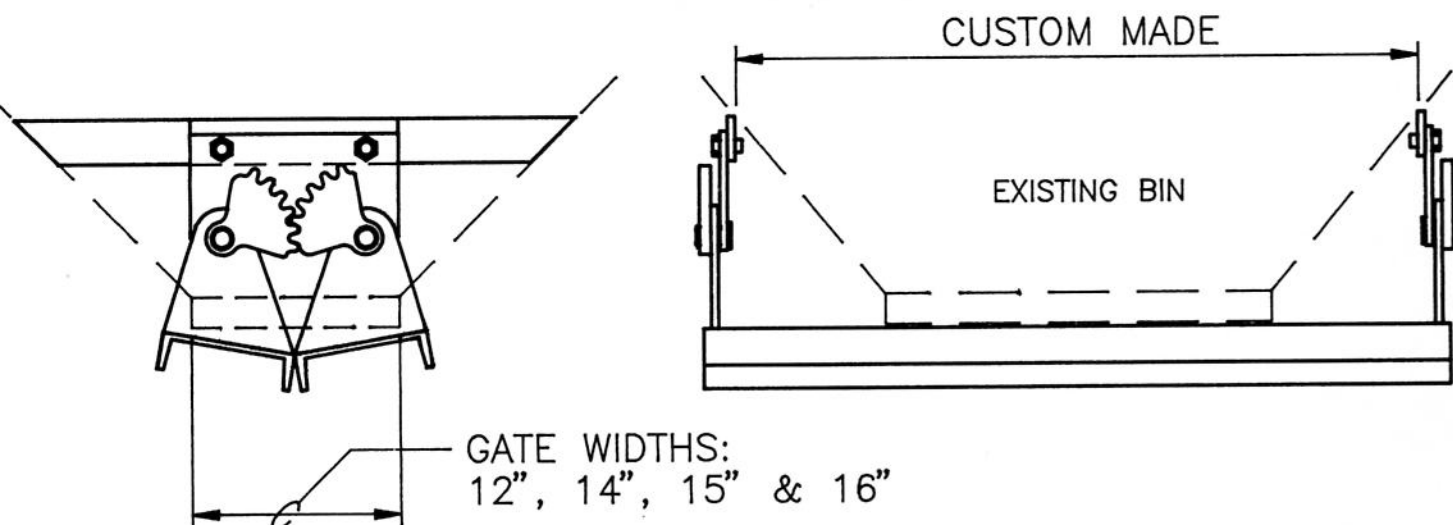
MEMBER OF



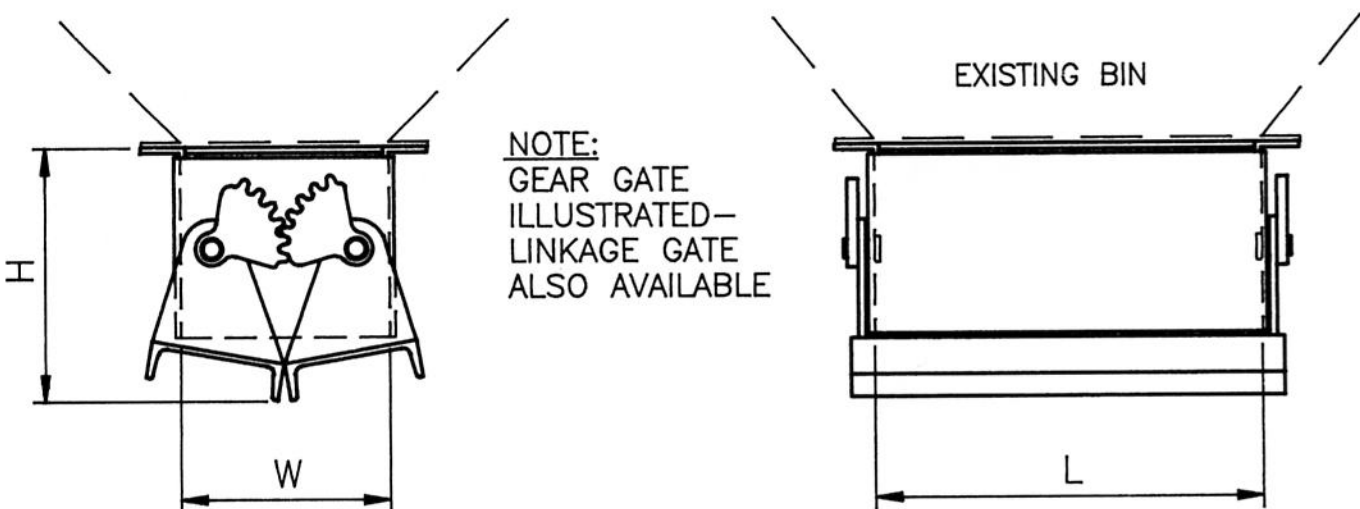
Construction Industry
 Manufacturers Association

DISTRIBUTED BY:

AGGREGATE REPLACEMENT GATES



CUSTOM MADE: SKELETON REPLACEMENT GATES



BOLT-ON BOX REPLACEMENT GATES

W	L = STANDARD GATE LENGTHS					H
12"	12"	14"	18"	20"	24"	16 3/4"
14"	14"	16"	18"	20"	24"	17"
15"	15"	20"	24"			17 3/8"
16"	16"	18"	20"	24"		17 3/8"

TO CONTINUALLY UPDATE AND IMPROVE OUR PRODUCTS WE RESERVE THE RIGHT TO AMEND OUR STANDARD SPECIFICATIONS WITHOUT NOTICE.

STEPHENS AGGREGATE CHARGING GATES ADVANTAGES:

- * HIGH TENSILE ALLOY BUSHINGS AND THRUST WASHERS
- * PERMANENTLY LUBED
- * REBUILDABLE
- * CUSTOM SIZES & DESIGNS AVAILABLE, CONSULT FACTORY